


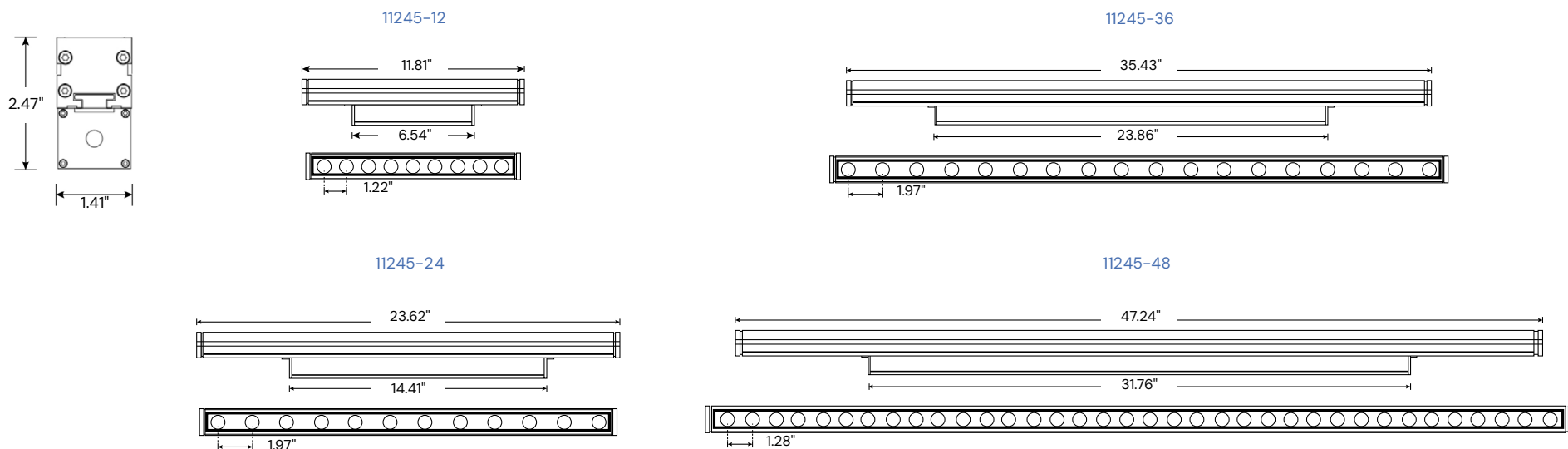
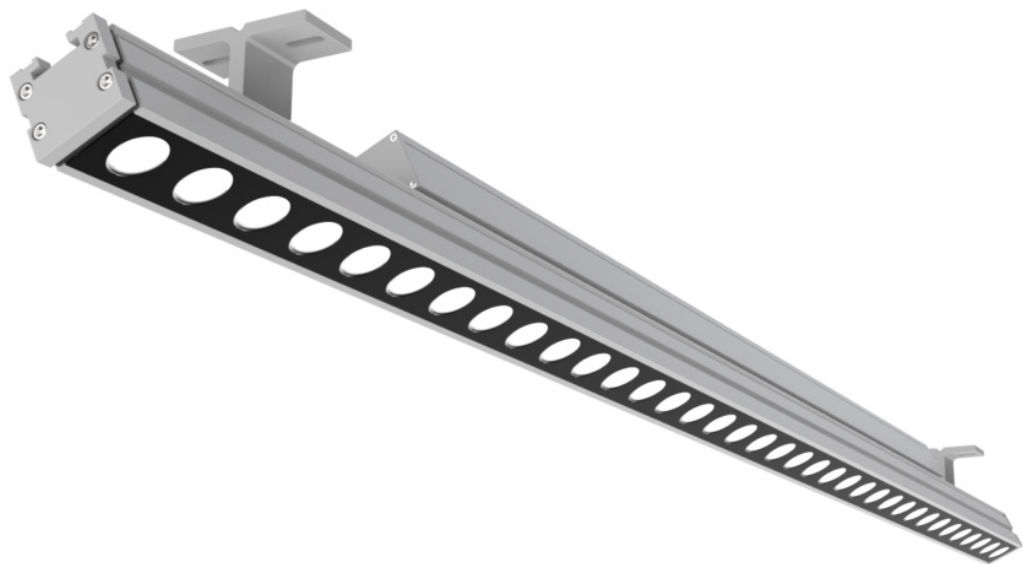
WARNING: RISK OF FIRE AND ELECTRICAL SHOCK. FIXTURE MUST BE INSTALLED BY A QUALIFIED ELECTRICIAN ONLY IN ACCORDANCE WITH NATIONAL, LOCAL BUILDING AND ELECTRICAL CODES. DISCONNECT POWER AT ELECTRICAL PANEL BEFORE SERVICING.



11245 INSTALLATION INSTRUCTIONS FOR: Outdoor Linear Wall Wash LED Light

Safety Precautions:

- 1. Read Carefully:** Prior to installation or servicing, thoroughly read and understand all safety precautions and instructions. Failure to follow these guidelines may result in serious injury, electric shock, or property damage.
- 2. Qualified Installation:** It is strongly recommended that all wiring be performed by a licensed electrician. This fixture must be installed in compliance with all national and local electrical codes.
- 3. Avoid Wet Conditions:** Do not handle or attempt to energize the fixture with wet hands, or while standing on wet surfaces or in water. Do not install within 10 ft or less from the nearest edge of a pool, spa, fountain, or similar location
- 4. Verify Power Source:** Ensure the power source meets the fixture's requirements



WARNING: RISK OF FIRE AND ELECTRICAL SHOCK. FIXTURE MUST BE INSTALLED BY A QUALIFIED ELECTRICIAN ONLY IN ACCORDANCE WITH NATIONAL, LOCAL BUILDING AND ELECTRICAL CODES. DISCONNECT POWER AT ELECTRICAL PANEL BEFORE SERVICING.

Installation Instructions:

Step 1

Position fixture and mark the screw hole locations.
Pre-drill as needed.

Step 2

Locate the marked or pre-drilled holes. Re-position fixture on one side to expose the the holes.
Attach with appropriate hardware.

Step 3

Rotate fixture to opposite side to expose remaining holes. Attach with appropriate hardware.

Step 4

Rotate fixture back to proper position. Tighten pivot bolt to secure the desired angle.

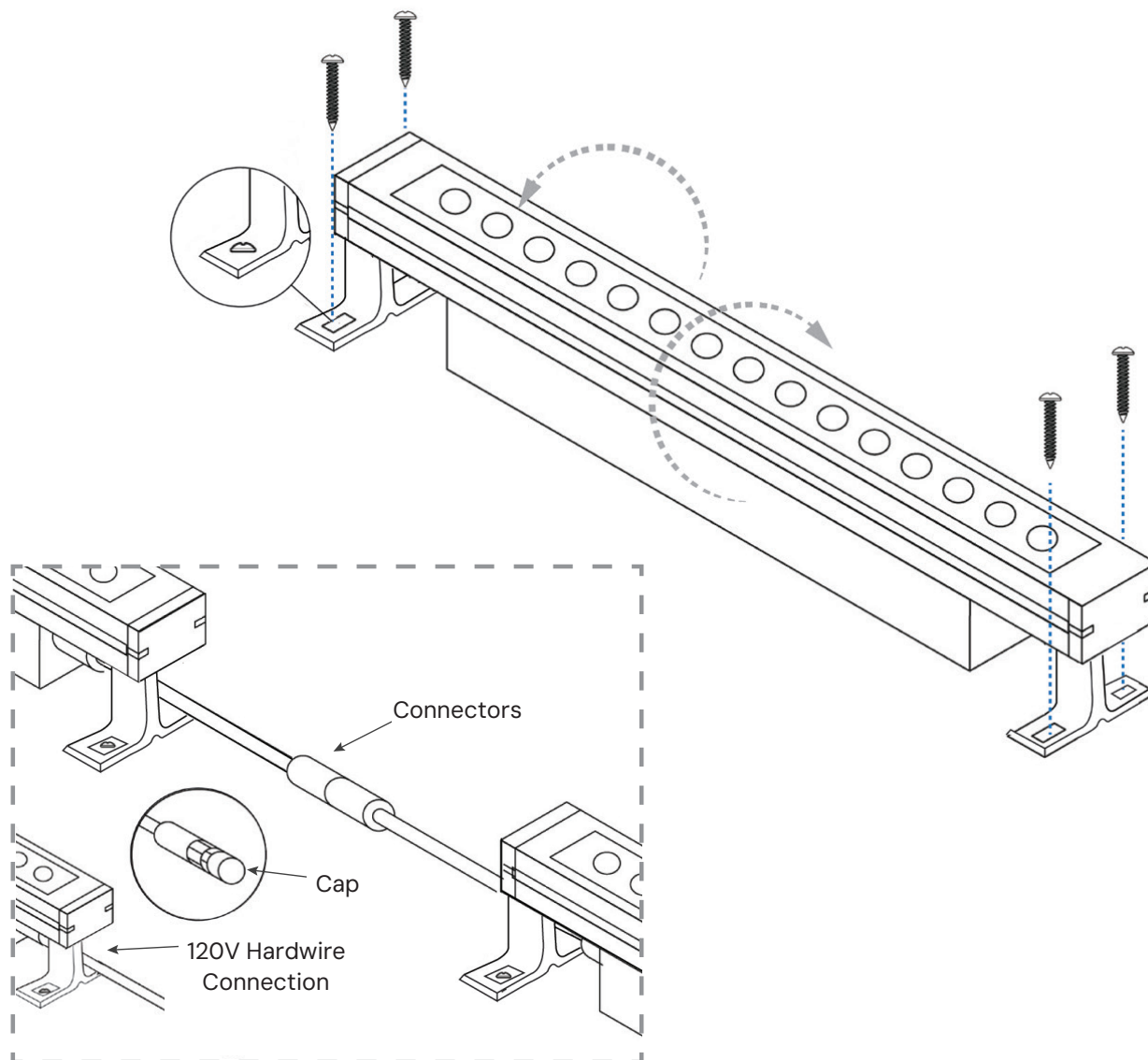
Step 5

Connect each desired fixture using the provided connectors and cables.

Step 5

Connect the starting fixture to the source voltage line.

*Make sure an end cap is placed on the final, unused cable connector.



WARNING:



RISK OF FIRE AND ELECTRICAL SHOCK. FIXTURE MUST BE INSTALLED BY A QUALIFIED ELECTRICIAN ONLY IN ACCORDANCE WITH NATIONAL, LOCAL BUILDING AND ELECTRICAL CODES. DISCONNECT POWER AT ELECTRICAL PANEL BEFORE SERVICING.

Wall Mount Arms Installation Instructions:

Step 1

Mount one extension arm onto wall.

Make sure to check that the proper distance is allocated then mount the other extension arm. (Figure 1)

*Fasten securely, making sure the extension arms are not wiggling or loose.

Step 2

Adjust extension arm length by loosening the hex screws and extending the inner channel to the desired length. Tighten the hex screws to set the length. (Figure 2)

Step 3

Tilt fixture to one side to expose the screw holes on one side of the adjustable brackets. Fasten the M4 screws securely.

Tilt fixture in the opposite direction and fasten M4 screws on the other side. (Figure 3)

Step 4

Connect each desired fixture using the provided connectors and cables.

Step 4

Connect the starting fixture to the source voltage line.

*Make sure an end cap is placed on the final, unused cable connector.

Figure 1

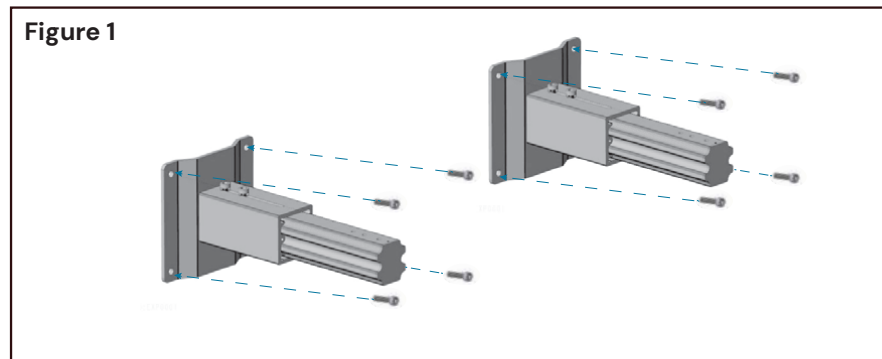


Figure 2

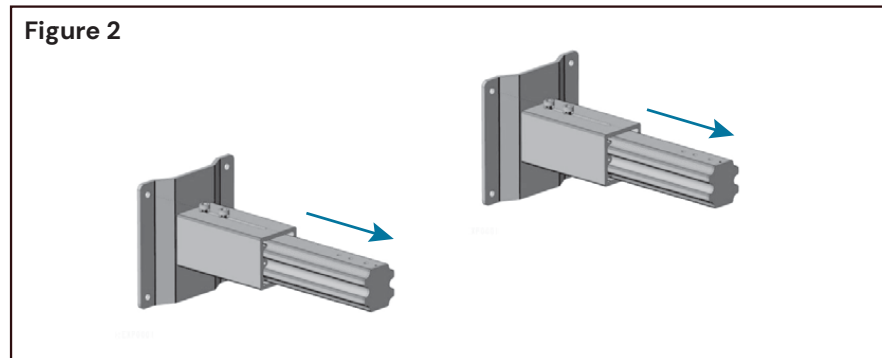


Figure 3

